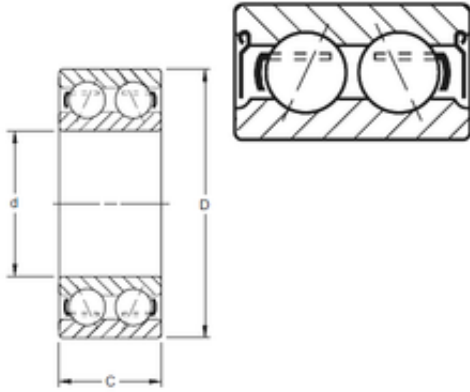




TIMKEN AXLE CORP.

17 mm x 47 mm x 22,25 mm TIMKEN 5303KDD Angular Contact Ball Bearings



Bearing No. 5303KDD

Size	17x47x22.25 mm
Bore Diameter	17 mm
Outer Diameter	47 mm
Width	22,25 mm
d	17 mm
D	47 mm
B	22,25 mm
C	22,25 mm
Angle (°)	20 °
Weight	0,191 Kg
Basic dynamic load rating (C)	22,6 kN

5303KDD Bearing 2D drawings and 3D CAD models