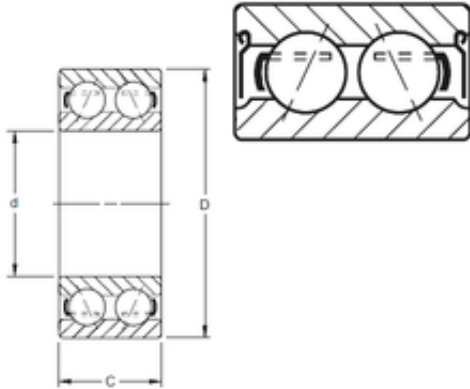




# TIMKEN AXLE CORP.

## 20 mm x 52 mm x 22,25 mm TIMKEN 5304KDD Angular Contact Ball Bearings



Bearing No. 5304KDD

Size	20x52x22.25 mm
Bore Diameter	20 mm
Outer Diameter	52 mm
Width	22,25 mm
d	20 mm
D	52 mm
B	22,25 mm
C	22,25 mm
Angle ( ° )	20 °
Weight	0,222 Kg
Basic dynamic load rating (C)	28,4 kN

5304KDD Bearing 2D drawings and 3D CAD models